

Cable-Extension Position Transducer

0...5, 0...10, -5...+5, -10...+10 VDC Output Options

Ranges: 0-10 to 0-250 inches

Industrial Grade • High Cycle Applications



PT5DC

Specification Summary:

GENERAL

Full Stroke Range Options 0-10 to 0-250 inches
 Output Signal Options 0...5, 0...10, -5...+5, -10...+10 VDC
 Accuracy $\pm 0.75\%$ to $\pm 0.18\%$ full stroke *see ordering information*
 Repeatability *see ordering information*
 Resolution essentially infinite
 Measuring Cable Options stainless steel or thermoplastic
 Enclosure Material hard anodized aluminum
 Sensor plastic-hybrid precision potentiometer
 Potentiometer Cycle Life *see ordering information*
 Maximum Measuring Cable Velocity *see ordering information*
 Maximum Retraction Acceleration *see ordering information*
 Weight 5 lbs. max.

ELECTRICAL

Input 14.5-40 VDC (10.5-40 VDC for 0...5 and -5...+5 volt output)
 Input Current 10 mA maximum
 Output Impedance 1000 ohms
 Maximum Load 5000 ohms
 Zero and Span Adjustment *see ordering information*

ENVIRONMENTAL

Enclosure NEMA 4/6, IP 65/67
 Operating Temperature -40° to 200°F (-40° to 90°C)
 Vibration up to 10 G's to 2000 Hz maximum

EMC COMPLIANCE PER DIRECTIVE 89/336/EEC

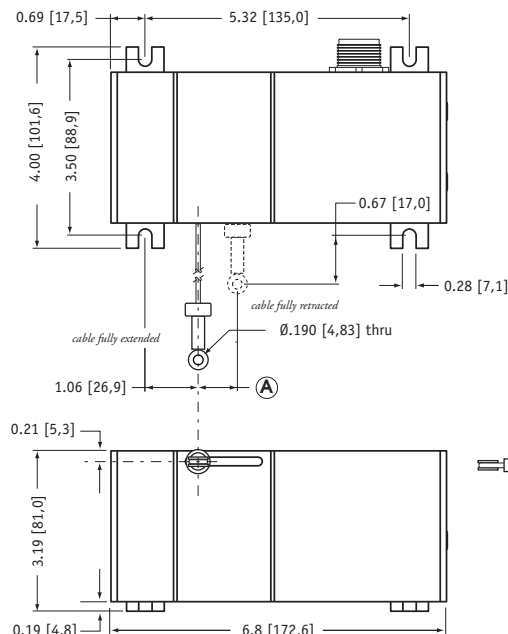
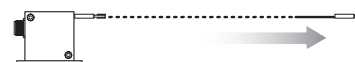
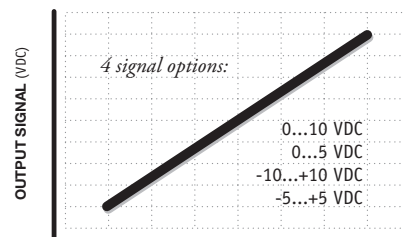
Emission/Immunity EN50081-2 / EN50082-2



The PT5DC cable-extension transducer uses a unique thermoplastic cable that has virtually an infinite fatigue life. This cable, known as V62, has properties that are superior for high cycle and rugged applications.

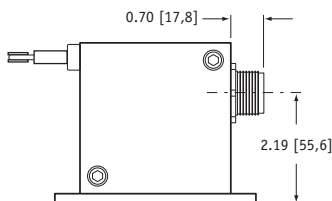
Like Celesco's other transducers, the PT5DC installs in minutes, functions properly without perfectly parallel alignment, and fits easily into small areas. The PT5DC offers additional installation flexibility since its cable exit can be rotated relative to the mounting surface, providing four different cable exit orientations.

Output Signal



stroke range	"A" Dimension measuring cable	
	S47 • V62	N34
10	0.08 [2,0]	0.05 [1,2]
15	0.12 [3,0]	0.07 [1,8]
20	0.16 [3,9]	0.09 [2,4]
30	0.23 [5,9]	0.14 [3,5]
40	0.31 [7,9]	0.19 [4,7]
50	0.39 [9,9]	0.23 [5,9]
60	0.47 [11,8]	0.28 [7,0]
80	0.62 [15,8]	0.37 [9,4]
100	0.78 [19,7]	0.46 [11,7]
125	0.97 [24,7]	0.58 [14,7]
150	1.16 [29,6]	0.69 [17,6]
200	n/a	0.92 [23,5]
250	n/a	1.16 [29,3]

ALL DIMENSIONS ARE IN INCHES [MM]
 tolerances are 0.03 inches [0,8 mm]
 unless otherwise noted



celesco.com • info@celesco.com

Celesco Transducer Products, Inc.
 20630 Plummer Street • Chatsworth, CA 91311

tel: 800.423.5483 • +1.818.701.2750 • fax: +1.818.701.2799

Ordering Information:

Model Number:

PT5DC - _____ - _____ - _____ - _____ - _____
order code: **R** **A** **B** **C** **D**

Sample Model Number:

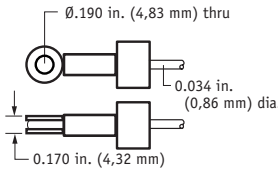
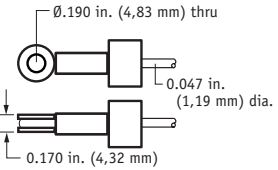
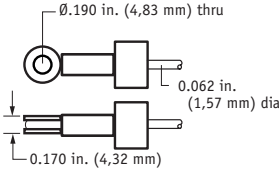
PT5DC - 100 - N34 - FR - Z10 - M6

- R** range: 100 inches
- A** measuring cable: .034 nylon-coated stainless front
- B** cable exit: front
- C** output signal: 0...10 vdc
- D** electrical connection: 6-pin plastic connector

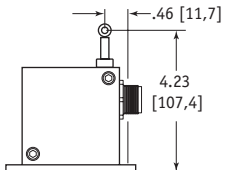
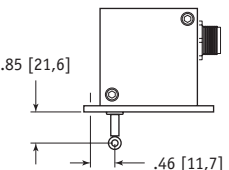
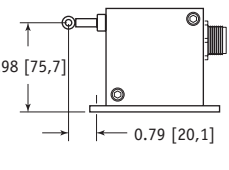
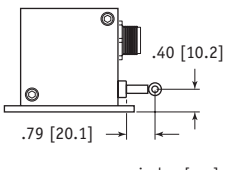
Full Stroke Range:

R order code:	10	15	20	25	30	40	50	60	80	100	125	150	200	250
full stroke range, min:	10 in.	15 in.	20 in.	25 in.	30 in.	40 in.	50 in.	60 in.	80 in.	100 in.	125 in.	150 in.	200 in.	250 in.
accuracy (±% of f.s.):	.75%	.6%	.5%	.5%	.5%	.3%	.3%	.25%	.25%	.25%	.25%	.18%	.18%	.18%
repeatability (±% of f.s.):	.1%	.1%	.05%	.05%	.05%	.05%	.05%	.02%	.02%	.02%	.02%	.02%	.02%	.02%
potentiometer cycle life:	2,500,000 cycles						500,000 cycles						250,000 cycles	
cable tension (20%):	41 ounces											21 ounces		
max. cable velocity/acceleration:	300 in./sec • 5 G's											120 in./sec • 2 G's		









Measuring Cable:

A order code:	N34	S47	V62
	.034 nylon-coated stainless steel <i>available in all ranges</i>	.047 stainless steel <i>all ranges up to 150 inches</i>	.062 thermoplastic <i>all ranges up to 150 inches</i>
			

Cable Exit:

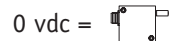
B order code:	UP	DN	FR	BK
	up	down	front	back
				
	inches [mm]			

Output Signals:

C order code:	Z10	10Z	Z5	5Z	M0P0	P0M0	M5P5	P5M5
output signal options:	0...10 VDC	10...0 VDC	0...5 VDC	5...0 VDC	-10...+10 VDC	+10...-10 VDC	-5...+5 VDC	+5...-5 VDC
								
input voltage:	14.5 - 40 vdc		10.5 - 40 vdc		14.5 - 40 vdc		10.5 - 40 vdc	
span adjustment:	to 50% of factory set span				to 75% of factory set span			
zero adjustment:	from factory set zero to 50% of full stroke range				from factory set zero to 25% of full stroke range			

example:

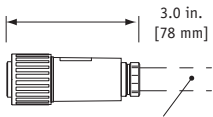
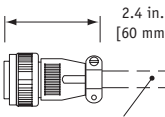
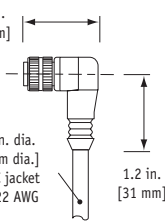

ordercode = **Z10** = 0...10 VDC ➔



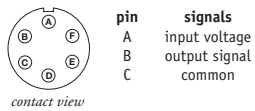
Ordering Information (cont.)

Electrical Connection:

① order code:

M6	M6M	MC4	C25
6-pin plastic connector with mating plug IP 67, NEMA 6	6-pin metal connector with mating plug IP 65, NEMA 4	4-pin micro-connector with 12 ft [3.5 M] cord set IP 67, NEMA 6	25-ft. instrumentation cable 24 AWG, shielded IP 67, NEMA 6
			
.30 - .39 in. [8 - 10 mm] cable dia. 16 AWG max conductor size connector: MS3102E-14S-6P mating plug: MS3106E-14S-6S	.375 in. [9 mm] max cable dia. 16 AWG max conductor size connector: MS3102E-14S-6P mating plug: MS3106E-14S-6S	12 ft. x 5/16-in. dia. [3.5 M x 8 mm dia.] yellow PVC jacket shielded, 22 AWG	25 ft. x 0.2-in. dia. [7.5 M x 5 mm dia.] 24 AWG, shielded

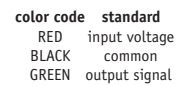
6-pin mating plug:



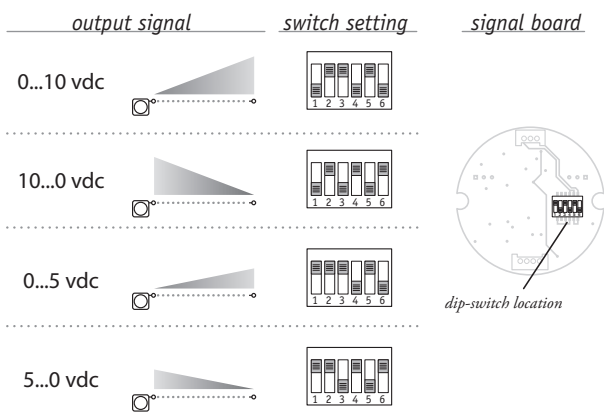
4-pin mating plug and cord set:



25-ft. cable:

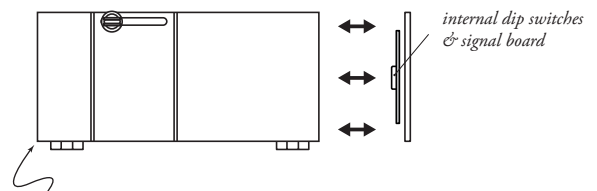


Output Signal Selection (does not apply to -5...+5 & -10...+10 vdc options)



The output signal direction can be reversed at any time by simply changing the dip-switch settings found on the internal signal board. After the settings have been changed, adjustment of the Zero and Span trimpots will be required to precisely match signal values to the beginning and end points of the stroke.

To gain access to the signal board, remove four Allen-Head Screws and remove end cover bracket.



Caution! Do Not Remove Spring-Side End Cover
Removing spring-side end cover could cause spring to become unseated and permanently damaged.